



gemini
ITALY

1800W Home/Bathroom
Ceramic Fan Heater
1800W 家用/浴室陶瓷暖風機
MODEL NO./型號: GCH18B
1800W



A GILMAN GROUP BRAND

SAFETY INSTRUCTION

Thank you for purchasing this heater. This product has passed through extensive quality assurance process. Every care has been taken to ensure that it reaches you in perfect condition.

Attention! When using electric tools, basic safety precautions should be followed to reduce the risk of fire, electric shock and personal injury, including the following,

Read all these instructions before operating this product and keep these instructions for easy reference.

1. Check the voltage indicated on the rating plate. This heater is designed for a 220-240V~ 50Hz electric supply.
2. After removing the packaging, check the appliance for any signs of damage. In case of visible damage, do not use it and contact us.
3. Warning: This heater is not equipped with a device to control the room temperature. Do not use this heater in small rooms when they are occupied by persons not capable of leaving the room on their own, unless constant supervision is provided.
4. Do not leave parts of the packaging within the reach of children. This appliance is not a children's toy: it is an electrical device and must be treated with the necessary caution.
5. Always use the appliance in an upright position.
6. Periodically check the electric cable of this heater. If the electric cable is damaged, it must be replaced by the After-sales Service Center or by a similar qualified person in order to avoid a danger.
7. Switch off the appliance before unplug from the socket. Do not unplug with wet hands in case of electric shock.
8. Children of less than 3 years should be kept away.
9. Do not touch the appliance when in use as some parts of this product can become very hot and cause burns. Pay attention to children and keep them away from the fan heater.
10. Do not cover any flammable items on the appliance. Do not use the appliance to dry laundry.
11. Do not turn on/off the appliance by plugging/unplugging the power cord.
12. Unplug the appliance and let it cool down before moving it. Do not pull and drag the power cord to move the appliance.
13. In case of any danger, the appliance must not be placed immediately under a fixed power socket.
14. The appliance must be placed on a firm, flat, horizontal surface in case of tip over and dangers.
15. Do not use the appliance near walls, furniture, curtains, etc. The heater must be positioned at least 50 cm from furniture or other objects, and keep the space clear at least 1m from the top.
16. Do not use the appliance in rooms with a floor area of less than 4m².
17. Do not put hands or sticks into the gap of the appliance. Watch out the children, the olds and persons with reduced physical.
18. Never use the appliance near flammable or explosive items, as it would cause dangers like fire hazard and electric shocks.
19. Do not use or store the appliance in damp and dusty space for long term. It may cause damage to the appliance as well as electric leakage and electric shocks.
20. Do not obstruct the air intake and outlet grilles, as it may cause danger of overheating, or damage to the appliance, even dangers like fire hazard.
21. Do not wash the appliance with water. Never let water drop into the appliance.
22. Never disassemble the appliance by your own. In case of danger, any forms of modification to the appliance are not allowed.
23. Unplug the socket when away or not in use.
24. Unplug the appliance and let it cool down before cleaning and maintenance. Use a soft damp cloth or soft brush for cleaning.
25. In case of a breakdown or malfunctioning of the appliance, disconnect it at once. Do not attempt to repair it, but contact the customer service and repair centre.
26. To ensure the heating effect, do not open the doors and windows frequently.
27. Covering or incorrect placing the appliance may cause fire hazard. To avoid any dangers, do not operate the appliance by using an auto-connect power socket, a timer or any other devices.
28. Never touch the appliance with wet or humid hands. Do not subject it to rough handling. Do not

leave the appliance exposed to weathering (rain, sunlight).

29. Do not place the cord near sources of heat. The use of extension leads is not recommended. If the power cable is damaged, it must be replaced by the After-sales Service Center or by a similar qualified person.

WARNING:

1. This appliance can be used by children aged from 8 years and above and persons with reduced physical, sensory or mental capabilities or lack of experience and knowledge if they have been given supervision or instruction concerning use of the appliance in a safe way and understand the hazards involved.
2. Children shall not play with the appliance. Cleaning and user maintenance shall not be made by children without supervised.

NOTE:

There are no serviceable parts in this unit. Do not attempt to disassemble.

WARNING

To avoid overheating, never cover the appliance during operation under any lead to a dangerous rise in temperature.

Note: Do not cover this product near curtains or other combustible material.

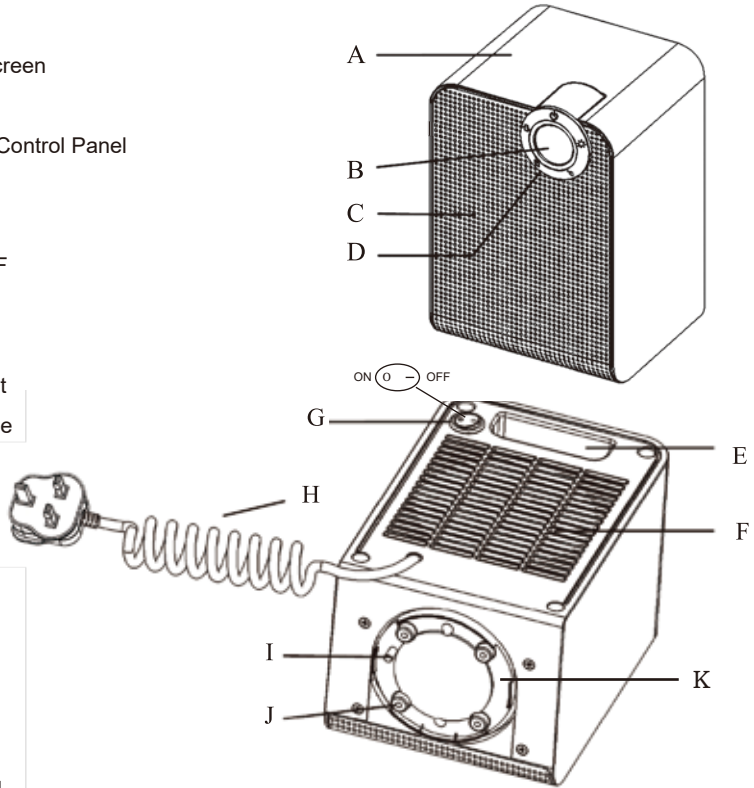
Do not pour water into the appliance.

Safety device: the appliance is fitted with a safety device which switches it off in the event of accidental overheating. To reset, unplug the appliance from the mains socket for a few minutes, remove the cause of overheating then plug in again.


Tip over safety device: a tip over safety device turns the appliance off if it falls over or is positioned inappropriately. The appliance resumes operation a few seconds after being switch ON and placed in an upright position again.

APPLIANCE COMPONENTS

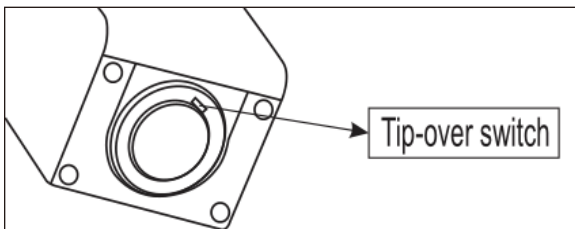
- A. Housing
- B. LED Display screen
- C. Air Outlet
- D. Touch Sensor Control Panel
- E. Handle
- F. Air Inlet
- G. Power ON/OFF
- H. Power Plug
- I. Tip Over Switch
- J. Supporting Foot
- K. Concealed base



OPERATION

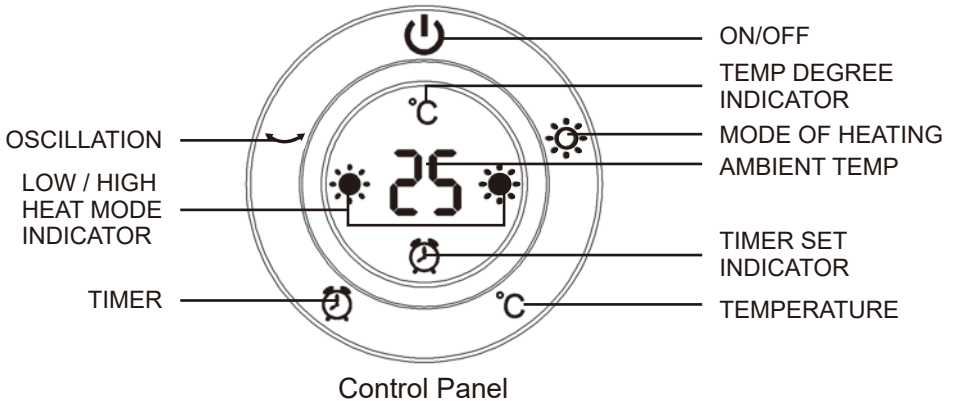
1. Plug the appliance to a 220-240V~50Hz wall socket.
2. To start the heater, push ON/OFF switch located at the back of appliance.
3. The indicator on the control panel lights up.
4. Push the ON/OFF button  on the control panel to activate the heater.
5. There is a tip-over switch under the concealed base of the heater, It is automatically shut the heater off when tipped forward or backward. The unit will continue working when switch "ON" and return it to normal upright position.

Important: Do not use on thick and long pile carpets, as the heater may not work, due the tip over switch not been activated.(see below picture)



HEATING

1. Press MODE button to choose the heat setting. Press the MODE once to activate Low heating 900W or Press the MODE twice to activate High heating 1800W which show on the LED display screen.
2. To turn off your heater anytime press the ON/OFF button on control panel, the heating element will stop and the fan will operate count down approx. 30 seconds allowing your heater to cool down before switching off automatically. If the product is in the fan mode working according to previously not heating mode, the product will directly into the standby status.



TIMER

Press Timer button to set the countdown time to turn off your heater automatically (from 1-8 hours) when the heater is on.

OSCILLATION

Press button it when the heater is on, the heater will swing from left to right. Press it again, oscillation will be stopped. The oscillation angle is around 65°.

Temperature + / -

During operation, the ambient temperature is displayed on the control panel. Press + / - to set the desired temperature(from 10°C to 35°C), and the display temporarily shows your preferred temperature before going back to displaying the current temperature. When the room temperature rises to the set temperature, the heater will stop heating until the temperature drops a few degrees.

Note: The temperature set using the + / - buttons will not be reached if the set temp is lower than the current room temperature.

To turn off your heater anytime press the ON/OFF button on the control panel, the heating element will stop and the fan will operate and count down for approx.30 seconds allowing your heater to cool down before switching off.

Switch off the power ON/OFF button at the back and unplug the products when it's not in use.

SAFETY SYSTEM

- In the event of abnormal overheating, a safety device shuts down the appliance automatically. After a short cooling down phase, the appliance is ready for use again.
- If you still notice the same defect as above mentioned, remove the plug from the socket and consult your authorized dealer to your after-sales service department.
- During use, do not touch or cover the whole machine. This may cause the unit to over heat, and the safety device to operate.


MAINTENANCE

1. Always turn OFF the main switch and unplug the appliance, before cleaning or moving it.
2. Switch off and unplug the appliance, and let it cool down before cleaning it. Use a soft damp cloth to clean the surface. Use a soft brush to clean the air inlet.
3. Oil stains on the surface must be cleaned in case of causing damage to the appliance.
4. Use only a soft or slightly damp cloth to clean the appliance. Never use solvent or abrasives. Do not use very wet substances, liquids or cloths to prevent water from entering into the appliance and irreparably damaging it.
5. Clean the air inlet and outlet grilles regularly with a vacuum cleaner if it is used frequently.
6. Wrap well and store the appliance in a dry ventilated place after maintenance.

Note: Never immerse the appliance into the water.

CAUTION



The  symbol on the product means that at the end of its life, the appliance must not be considered normal waste but hazardous waste and, as such, must be disposed of in specific recovery and disposal areas, as prescribed by the EC Directive 2002/96/EC (WEEE). By disposing of this product correctly, you can prevent negative consequences for the environment and for human health, due to the presence of potentially hazardous substances in the product.

TECHNICAL DATA

Model No. GCH18B

Power supply: 220-240V~ 50Hz

Power: 1800W

Product Dimensions: 165(W) x 250(H) x 145(D) mm

Net Weight: 1.84kg

重要安全事項

注意: 當使用電動工具時, 應遵循基本的安全預防措施, 以減少火災, 觸電和人身傷害的風險, 包括以下內容:

首次操作本產品前, 先閱讀所有說明, 並保存各有指示:

1. 檢查銘牌上標示的電壓。本產品應在220-240V~50Hz的電力供應中使用。
2. 拆開包裝後, 檢查本機有無損壞的跡象。如有損壞, 請勿使用本機並聯繫我們。
3. 警告: 本機不配備控制室內溫度的設備。請勿讓行動不便, 無法獨自撤離的人士在較小的室內空間使用, 除非有人實時監管。
4. 請勿將包裝部件放在兒童可以接觸到的地方。本機非兒童玩具: 本機為電氣設備, 必須謹慎處理。
5. 請始終直立使用本機。
6. 定期檢查暖風機的電源線。如果電源線損壞, 必須由售後服務部或合格的電器技師更換, 以避免危險。
7. 拔出插頭前先關掉電源, 勿用濕手插拔電源插頭, 有觸電危險。
8. 三歲以下兒童應遠離本機。
9. 通電後不要接觸暖風機表面以防燙傷, 尤其對兒童要特別注意, 切勿讓其靠近。
10. 禁止將可燃物直接覆蓋在機身表面。請勿使用本機烘乾衣物。
11. 禁止通過直接插拔電源線插頭的方式來開機和關機。
12. 移動前應拔掉電源插頭, 待機體冷卻後方可移動。移動時必須小心, 請勿直接拉著電源線移動機體。
13. 暖風機不得直接置於電源插座下面使用, 以免發生事故。
14. 使用時暖風機必須放置平穩; 勿在不平穩、不安定的場所使用, 以免翻倒損壞或發生危險。地毯, 長毛地毯不能放置使用。
15. 本產品請勿安放在牆壁、窗簾及室內傢具旁邊使用, 放置時應離牆及傢具50厘米以上, 其頂部1米內不得有遮擋, 以利於空氣流通。
16. 請勿在面積小於4m²的房間內使用本機。
17. 使用時絕對禁止將手或棍棒插入產品孔縫中, 以免發生意外。特別注意小孩、老人或殘疾人士。
18. 禁止在存放有易燃、易爆等物品的場所以使用, 以免發生火災、觸電等事故。
19. 勿長期在潮濕、灰塵多的地方使用及儲藏, 以免造成外殼腐蝕或因濕氣引起漏電、觸電等事故的發生。
20. 禁止覆蓋進風口、出風口, 會造成高溫故障或影響性能, 甚至發生火災等危險。
21. 嚴禁用水沖淋機體, 切勿將水滴入取暖器內。
22. 不得隨意分解機體, 不得對本產品進行任何形式的改造, 以免發生危險。
23. 外出或長期不用時請一定要把電源插頭從插座拔出。
24. 擦拭和保養時, 先切斷電源, 待產品冷卻後, 再用濕軟布或軟毛刷進行清潔。
25. 如果產品出現故障, 請立即斷開電源, 並聯繫當地售後服務中心; 切勿擅自拆機維修, 以免發生危險。
26. 使用時請不要頻繁開關門窗, 以免影響使用效果。
27. 因為暖風機被覆蓋或不正確放置會引起火災危險, 故不得利用帶有可自動接通

電源的裝置，定時器或其它任何裝置來操控本暖風機。

28. 不要用濕手觸碰本機。請勿粗暴操作本機。避免陽光直射和淋雨。

29. 請勿將電源線放在熱源附近。請勿使用延長線，如電源線損壞，必須由經授權的服務中心或合格的技術人員更換。

注意：

1. 本機不是為體質、感覺或智力有障礙人士（包括小孩）或缺乏經驗及知識者使用，除非他們曾經接受負責安全人士的監督或指導使用此電器。
2. 大人應該指導小孩不可把玩本電器。

注意：

這風扇沒有可由用戶進行更換的部分，用戶不可自行拆開風扇。

警告：



為避免過熱，禁止於任何情況下覆蓋正在使用中的暖風機，因此舉將造成危險。

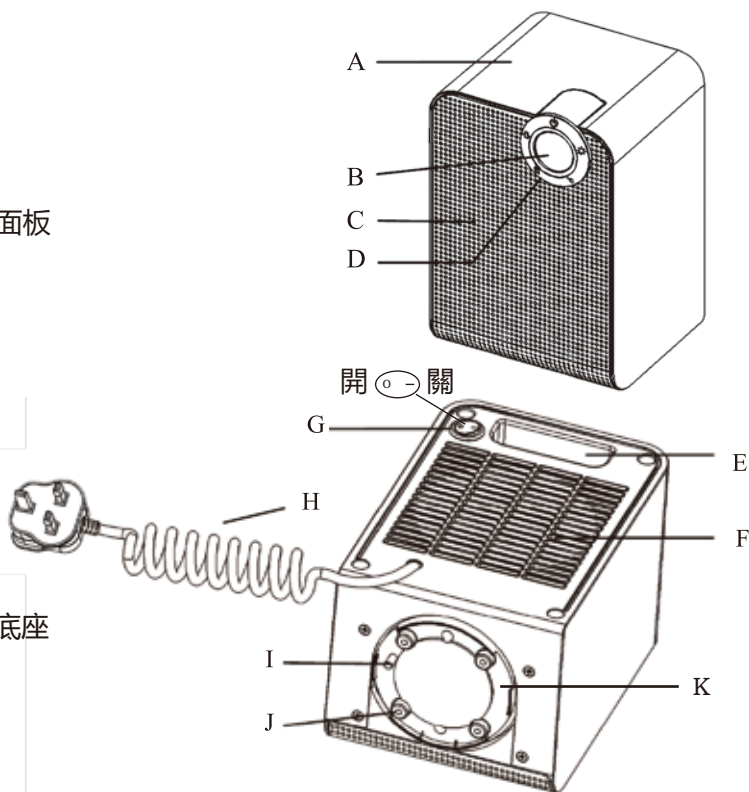
注意：請勿在靠近窗簾或其他可燃材料的地方覆蓋本產品。
不可把水倒進機內。

過熱斷電：本機內置過熱保護裝置，產品過熱時將自動關閉。如需重啟，請拔出電源幾分鐘，待冷卻後再插上電源開機。


傾倒斷電：當暖風機傾倒，或未正確放置時，本機將自動斷電以確保安全。當暖風機被正確擺放好後，重按開關掣本機即可再次開啓使用。

部件名稱

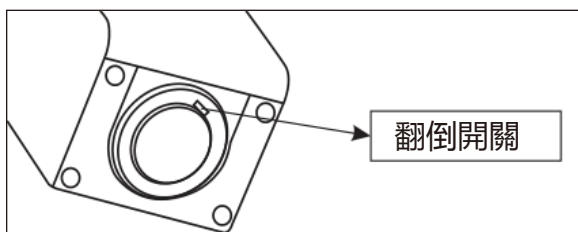
- A. 機身外殼
- B. LED顯示屏
- C. 出風口
- D. 輕觸式控制面板
- E. 把手
- F. 入風口
- G. 電源開關
- H. 電源綫
- I. 翻倒開關
- J. 機鍵底脚
- K. 隱藏式搖擺底座



使用方法

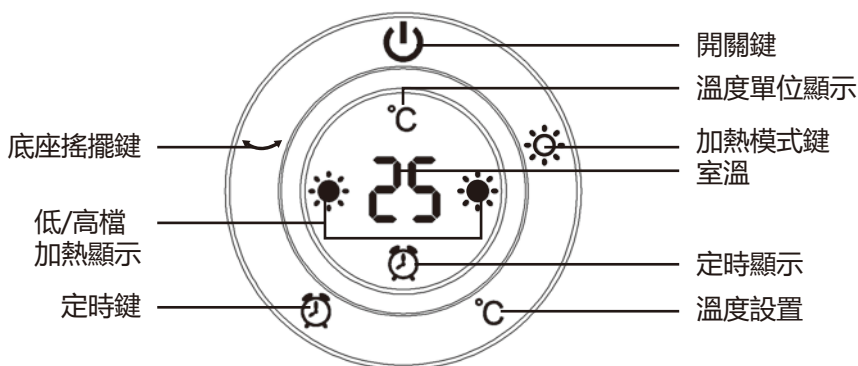
1. 將本產品插入220-240V~50Hz的牆身插座。
2. 啟動本暖風機，請按下位於本機身後面的ON / OFF電源開關。
3. 控制面板上的室溫顯示亮著。
4. 按下控制面板上的  開關按鈕開啓暖風機。
5. 暖風機底部有一個翻倒開關，當暖風機向前或向後傾斜時，它會自動關閉該暖風機。一旦恢復到正常的直立位置，重按開機制 "ON", 本機即可再次開啓使用。

注意：不要在又粗又長的絨頭地毯上使用本暖風機，否則翻倒開關自動關閉，暖風機可能將無法正常工作。（見下圖）



熱力設置

1. 按下機身控制面板上的熱力模式選擇鍵“☀️”鍵，暖風機開始加熱，按一次為低檔加熱，顯示屏上顯示一個“☀️”代表900瓦熱力模式；按兩次為高檔加熱模式，顯示屏顯示兩個“☀️☀️”代表1800瓦熱力；再按一次，取消加熱，暖風機以冷風檔工作。
2. 如需關機，按“🔌”開關按鍵，如暖風機按之前是加熱模式，則該風機會倒數工作30秒後（以便發熱體充份散熱）停止加熱進入待機模式。如產品按之前是風機工作非加熱模式，則直接進入待機模式。



控制面板圖示

定時設置

按下機身控制面板上的“🕒”定時鍵，可設定所需的定時關機時間。定時設定範圍由1-8小時。

底座搖擺設置

按下機身控制面板上的“↔️”鍵，暖風機左右搖頭送風角度約65度；再按一次，取消搖擺功能。

調控溫度設置

在操作過程中，室溫溫度會顯示在前面板顯示屏上。

按+ / - 鍵可設置所需的溫度（從10°C到35°C），顯示屏會暫時顯示您的首選溫度，然後再返回顯示室溫溫度。當室溫升至設定所選溫度時，暖風機將停止加熱，直至溫度下降幾度。

注意: 如果所需設置溫度低於當時室溫溫度，則無法使用+ / - 按鈕設置溫度。

如需關機，按“🔌”開關按鍵，發熱體將停止工作，該風機將倒數工作約30秒，使暖風機冷卻後再關閉。

長時間不使用，請關閉暖風機後面的電源開關按鈕，拔下電源插頭。

安全裝置

- 在異常過熱的情況下，安全裝置會自動關閉本機。在短暫的冷卻機體後，本機即可再次使用。
- 如果您發現本產品還有上述異常現象，請拔下電源插頭，並諮詢售後服務部或合格的電器技師更換，以避免危險。
- 在使用過程中，請勿觸摸或覆蓋風進/出口。這可能導致本機過熱，並使安全裝置開啓。

清潔及保養

1. 移動或清潔產品前，請先關閉電源，拔掉電源插頭。
2. 擦拭和保養暖風機時，先切斷電源，待產品冷卻後，再用濕軟布擦拭表面。通風口處可用軟毛刷刷淨。
3. 暖風機本體的油跡必須清除乾淨，以免變色，破損。
4. 僅使用柔軟的濕布擦拭清潔本機。切勿使用汽油、石腦油、天那水、酒精、有機溶劑等易揮發的液體清潔本機，及切勿使用鋼刷等堅硬的物體進行清潔，以免對本機造成嚴重傷害。
5. 頻繁使用時，可用吸塵機定期對出入風口進行吸塵清潔。
6. 清潔保養完畢後，包好暖風機，放置在乾燥通風的地方。

注意：切勿直接將整台機器浸入水中清潔。



本產品含有可回收材料，不可把本產品作為未分類廢物。

請聯繫就近指定回收點。

技術參數

型號：GCH18B

電源：220-240V~50Hz

功率：1800 瓦

產品尺寸：165(寬) x 250(高) x 145(深)毫米

淨重重量：1.84公斤

請記錄下列產品資料

● 型號

● 機身編號

● 經銷商名稱

● 購買日期

本產品不斷改進中，如功能有所更改，恕不另行通知，如有疑問，請與客戶服務中心聯絡，不便之處，敬請原諒。

說明書內容以英文版本為準

ToolBox Customer Service Centre 客戶服務中心：

7/F., Goodwill Industrial Building, 36-44 Pak Tin Par Street, Tsuen Wan, N.T.
新界荃灣白田壩街36-44號信義工業大廈7樓

Customer Service Hotline 客戶服務熱線：(852) 8210 8210

Service E-mail 電郵地址：8210service@gilman-group.com

Please register now at 請即上網登記：www.toolbox.hk

Website 網址：www.gilman-group.com

Proudly Serviced by:



太平家庭電器

2/F, Shing Dao Industrial Building, 232 Aberdeen Main Road, Hong Kong
香港香港仔大道232號城都工業大廈2樓